

BTS80

—



Floor Concealed Door Closers

BTS80 SERIES FLOOR-CONCEALED DOOR CLOSER

Dependable and Versatile Floor-Concealed Closer



The BTS80 Series of floor-concealed door closers offers adaptability to almost any installation.

The closer's compact body permits its use where a larger closer would be prohibitive. Versatility allows installation in thin slab concrete subfloor construction. A wide selection of

interchangeable spindles makes the BTS80 suitable for virtually any floor covering or threshold application. Because the BTS80 can control exceptionally heavy single- and double-acting doors, you can incorporate the floor closer into almost any design to meet most materials, size, and weight requirements.

Trouble-free performance under adverse climatic and traffic conditions makes the BTS80 floor-concealed closer dependable and a perfect choice for even the most rigorous applications. For total control and uncompromising creativity for any door opening, specify a BTS80 floor-concealed closer.

CONTENTS

| | | |
|-------------------------------------|---|---|
| BTS80 Series Floor-Concealed Closer | Overview | 2 |
| | Certification & Specifications | 3 |
| | How to Order | 4 |
| | Technical Details | 5 |
| | Applications | 6 |
| | Spindles | 7 |

DORMA USA quality and environmental management systems in Reamstown, PA and Steeleville, IL are certified to ISO 9001:2008 and ISO 14001:2004.



Intertek



Intertek

| Features | BTS80 | BTS80 | BTS80 F |
|--|--------------------|--------------------|-------------------|
| ANSI Spring Size | 3 | 4, 6 | 5 |
| Non-handed unit suitable for both single-and double-acting doors | • | • | – |
| Controlled closing with two adjustable valves | 175°–70° 70°–0° | 175°–70° 70°–0° | 180°–70° 7°–0° |
| Mechanical backcheck | – | • | • |
| Delayed Action | • | • | – |
| Multipoint hold open between 75° and 175° | • | • | – |

• yes – no

SPECIFICATIONS

Certification

The DORMA BTS80 F Series is listed by U.L. and C.U.L. under their continuing reinspection programs.

The DORMA BTS80 Series is certified to the requirements of ANSI/BHMA A156.4 for grade 1 closers.

Specifications

All floor-concealed door closers shall be DORMA BTS80 Series employing a cam and roller mechanism. The closers shall be capable of controlling interior or exterior doors weighing up to 660 lb and measuring up to 4'-0" wide exterior and 4'-6" interior. The closers will have selectable multipoint hold open between approximately 75° and 175°. The closers will have

selectable delayed action to allow delayed closing from 175° to 75°. The closers will have mechanical backcheck at approximately 70°. Dual valve adjustment will provide controlled closing speed from approximately 175° opening range, even in cold temperature conditions. The closer will provide adjustment within the cement case to allow lateral and longitudinal adjustment of 1/4" and vertical height adjustment of 5/32". Field interchangeable spindles will be available to provide bottom door clearances ranging from 5/16" to 2-5/16".

Optional Specifications

The closers should be used with sealing compound SC2 to prevent water or cleaning solvent from entering the cement case.

Floor-concealed door closers for all fire doors shall be DORMA BTS80 F. The closers shall be single-acting and have controlled closing from a full 180°. A sweep range of 180°–0° and latch range of 7°–0° will help insure positive latching of the door.

Finishes

Optional Plated Finishes

- Brass: 605 (Bright) or 606 (Satin).
- Bronze: 611 (Bright), 612 (Satin), or 613 (Oxidized Satin Oil Rubbed).
- Nickel: 618 (Bright) or 619 (Satin).
- Chrome: 625 (Bright) or 626 (Satin).

Standard Sprayed Finishes

- Aluminum: 689.
- Bronze: 691 (Dull), 690 (Statuary), or 695 (Dark Duranodic).
- Gold: 696.
- Black: 693.

Optional DORMA Custom Color or Designer Color Finishes

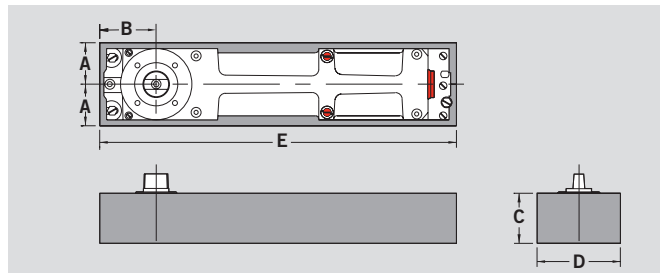
Contact Customer Service.

Warranty

For details, refer to **DORMA Limited Warranty** on our website at go.dorma.com/terms.

Size Selection Chart BTS80 / BTS80 F

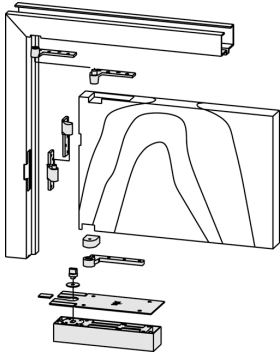
| BTS80 | BTS80 F | Exterior | Interior |
|-------------|-------------|-------------|-------------|
| ANSI Size 3 | | 2'-6"-3'-0" | 2'-6"-3'-6" |
| ANSI Size 4 | ANSI Size 5 | 2'-6"-3'-6" | 2'-6"-4'-0" |
| ANSI Size 6 | | 3'-6"-4'-0" | 4'-0"-4'-6" |



Maximum door widths and recommended sizes shown are for average conditions. If there are unusual site conditions, e.g. high or exceptionally heavy doors or wind pressure, the next stronger spring size should be selected.

| | A | B | C | D | E |
|-------------|-----------------|---------|-------|-------|---------|
| Inches | 1-13/32–1-21/32 | 2–2-1/4 | 2-3/8 | 3-1/8 | 13-7/16 |
| Millimeters | 36–42 | 51–57 | 60 | 78 | 341 |

HOW TO ORDER BTS80 SERIES



Series

BTS80

Spindle

| | |
|----------------------------|--------------|
| 1-1/2" Pre-Loaded Spindle | 80030 |
| 1-5/16" Pre-Loaded Spindle | 80025 |
| 1-1/8" Pre-Loaded Spindle | 80020 |
| 7/8" Pre-Loaded Spindle | 80015 |
| 3/4" Pre-Loaded Spindle | 80010 |
| 1/2" Pre-Loaded Spindle | 80005 |
| 5/16" Pre-Loaded Spindle | 80003 |
| 2-5/16" Spindle | 74050 |
| 2-1/16" Spindle | 74045 |
| 1-7/8" Spindle | 74040 |
| 1-11/16" Spindle | 74035 |
| 1-1/2" Spindle | 74030 |
| 1-5/16" Spindle | 74025 |
| 1-1/8" Spindle | 74020 |
| 7/8" Spindle | 74015 |
| 13/16" Spindle | 74012 |
| 3/4" Spindle | 74010 |
| 5/8" Spindle | 74007 |
| 1/2" Spindle | 74005 |
| 5/16" Spindle | 74003 |

3 h Intermediate Pivot for 1-1/2" Offset

Through Wire Intermediate Pivot for 1-1/2" Offset

20 min Intermediate Pivot for Lead Lined 3/4" Offset (see note*)

20 min Intermediate Pivot for 3/4" Offset

Hand

Specify for Left Handed Units

LH

Specify for Right Handed Units

RH

Optional Accessories

| | |
|----------------|---|
| E80624 | Through Wire CH Top Pivot (4 wire) |
| E80622 | Through Wire CH Top Pivot (2 wire) |
| HD8062 | Heavy Duty CH Top Pivot |
| 75200 | Through Wire Intermediate Pivot for 3/4" Offset |
| 15233 | 20 min Intermediate Pivot for 1-1/2" Offset |
| 15222 | 3 h Intermediate Pivot for Lead Lined 3/4" Offset (see note*) |
| 15220 | 20 min Intermediate Pivot for 1-1/2" Offset |
| 75243 | 3 h Intermediate Pivot for Lead Lined 3/4" Offset (see note*) |
| 75242 | Intermediate Pivot for Lead Lined 3/4" Offset (see note*) |
| 75240 | 3 h Intermediate Pivot for 3/4" Offset |
| 75233 | Intermediate Pivot for 3/4" Offset |
| 75222 | Sealing Compound |
| 75220 | Terrazo Pan CH and 1-1/2" Offset |
| SC2 | Terrazo Pan for 3/4" Offset |
| TP80 CH | |
| TP80 | |

Deducts

| | |
|------------|------------------|
| LBX | Less Cement Box |
| LFP | Less Floor Plate |
| LTP | Less Top Pivot |

| | | | | | |
|--------------|----------|--------------|-----------|------------|------------|
| BTS80 | D | 74010 | RH | AMS | 626 |
|--------------|----------|--------------|-----------|------------|------------|

- A** CH Double Acting, Aluminum Door and Frame
- B** CH Double Acting, Wood or Steel Door and Frame
- C** CH Double Acting, Wood or Steel Door and Frame
- C-E** 1-1/2" Offset, Handed
- C-F** 1-1/2" Offset, 20 min Rated Handed
- D** 1-1/2" Offset, 3 h Rated Handed
- E** 3/4" Offset, Handed
- F** 3/4" Offset, 20 min Rated Handed
- G** 3/4" Offset, 3 h Rated Handed
- H** CH Single Acting, Aluminum Door and Frame
- I** CH Single Acting, Wood or Steel Door and Frame
- IF** Independent Hung, Non-Handed
- L** Independent Hung, Up to 3 h Rated, Non-Handed
- L-E** 3/4" Offset Lead Lined, 20 min Rated Handed*
- L-F** 3/4" Offset Lead Lined, 3 h Rated Handed*
- P** Independent Hung On Pocket Pivots, Non-Handed
- PF** Independent Hung On Pocket Pivots, Up to 3 h Rated, Non-Handed

Spring Size

- 3** Size 3, Light Opening Force, No Backcheck
- 4** Size 4, No Need to Specify
- 5** Size 5, for use w/Fire Pkgs, No Delay, No Hold Open
- 6** Size 6, Strong

Fastener Packs

- AMS** All Metal Screws
- W2** All Wood Screws
- W1** 1/2 Wood Screws
- AMSAWS** All Metal Screws All Wood Screws

Painted

- 600** Primed
- 689** Aluminum
- 690** Statuary Bronze
- 691** Dull Bronze
- 693** Black
- 695** Dark Duranodic Bronze
- 696** Gold
- PNT** Special Sprayed Finish (must specify)
- 605** Bright Brass
- 606** Satin Brass
- 611** Bright Bronze
- 612** Satin Bronze
- 613** Oxidized Satin Oil Rubbed
- 618** Bright Nickel
- 619** Satin Nickel
- 625** Bright Chrome
- 626** Satin Chrome

Plated

*** "L" Package Door Thickness Note:**
 The standard door thickness is 1-3/4", and is the default unless otherwise specified.

Other alternative sizes are

- 2
- 2-1/4
- 2-1/2
- 3

Examples: L-E-2-1/2....75242-2-1/2

Example above 20 min. lead lined package for 2-1/2" thick door.

NOTE: All combinations of features and options are not available for all models.

TECHNICAL DETAILS

BTS80 Series

- Compact closer body and cement case 2-3/8" deep suited for thin slab concrete construction.
- Accommodates doors weighing up to 660 lb and 4'-6" wide interior and 4'-0" exterior.
- Closer adjustment in cement case provides lateral and longitudinal adjustment of 1/4" and height adjustment of 5/32".
- A pressure relief valve protects closer from damage caused by forced closing.
- Optional sealing compound SC2 prevents water or cleaning solvent from entering the cement case.
- **If door hardware or adjacent structures interfere with maximum opening, an auxiliary stop should be installed.**

BTS80

- Closer body is non-handed.
- Mechanical backcheck at approximately 70° (excluding size 3, where backcheck is removed to meet barrier-free through 90° of opening for easier passage).
- Selectable delayed action between 175° and 75°. Extends the closing cycle to allow unobstructed passage.
- Delayed action is functional when hold open is not engaged.
- Dual thermostatic control valves combined with special hydraulic fluid provide controlled closing from 175°.
- Selectable multipoint hold open between approximately 75° and 175°.
- Adjustment for start of hold open range or when delayed action releases. Adjustable between 75° and 105°.

- 1 Valve adjustment 70°-0°.
- 2 (a) Valve adjustment 175°-70°. (b) Selectable multipoint hold open between 75° and 175°. (c) Selectable delayed action from 175° to 75°.
- 3 Mechanical backcheck at approximately 70° (except size 3).
- 4 Start of hold open/end of delayed action range adjustment. Adjustable between 75° and 105°.

NOTE: Clockwise turns create a longer delay time with a slower closing speed. Turning valve completely clockwise creates hold open and eliminates delayed action.

BTS80 F



- U.L. listed for use with fire doors.
- Closer body is handed.
- Non-hold open only.
- Mechanical backcheck at approximately 70°.
- Dual thermostatic control valves combined with special hydraulic fluid provide controlled closing from 180°.
- Recommended for applications using a wall magnet to hold a door open at 180°.

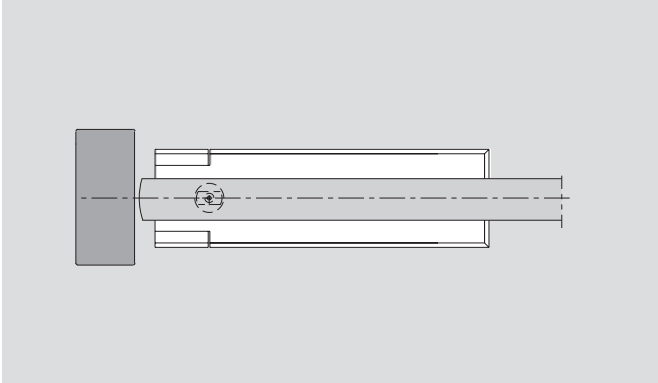
- 1 Valve adjustment 7°-0°.
- 2 Valve adjustment 180°-0°.
- 3 Mechanical backcheck at approximately 70°.

APPLICATIONS

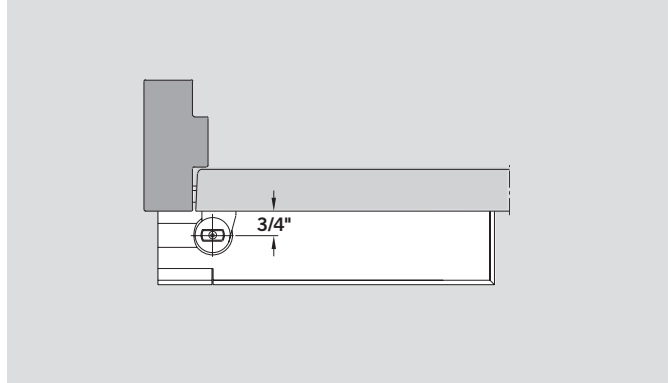
Accessory packages for the following applications are designated with an alpha suffix— "A" or "B," for example.

For application details and accessory illustrations, see **BTS Applications and Accessories** brochure.

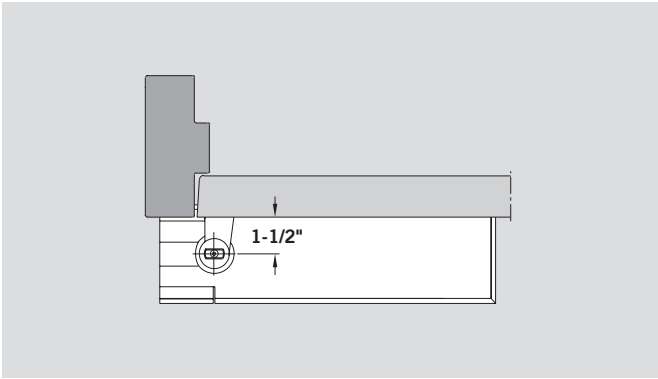
Center Hung Packages (A, B, G, H)



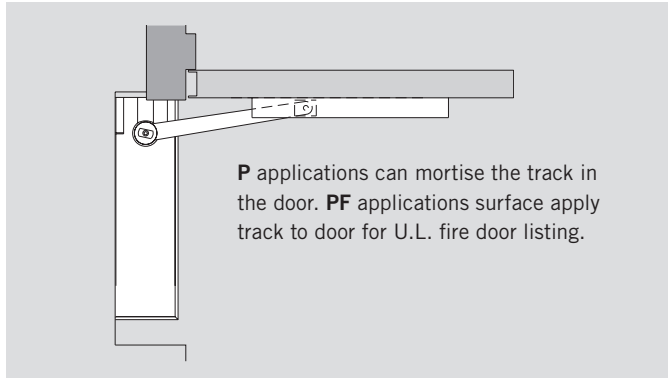
3/4" Offset Packages (D, E, F, L, L-E, L-F)



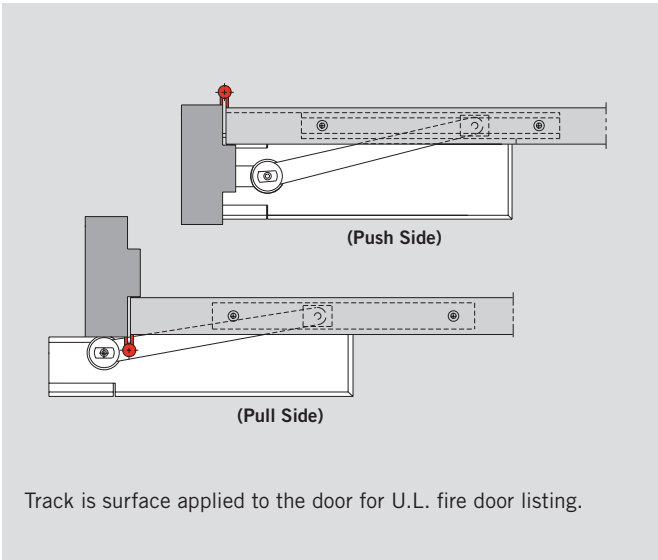
1-1/2" Offset Packages (C, C-E, C-F)



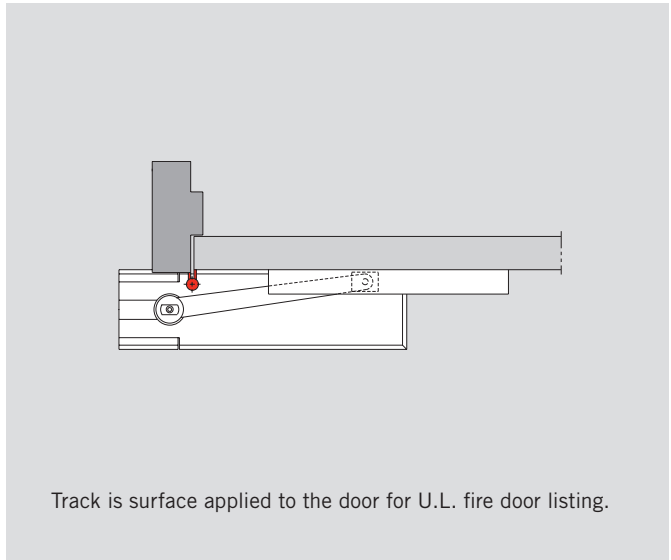
Pocket Door Packages (P) / Pocket Fire Door Packages (PF)



Independent Hung Door Packages (I)



Independent Hung Fire Door Packages (IF)



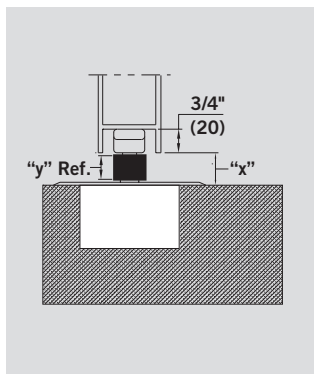
SPINDLES

| Spindle # | Dimension "x" (Door Clearance) | 3° Offset Spindle No. | Dimension "y" |
|-------------|-----------------------------------|--------------------------|---------------|
| 74003 | 5/16" | 80003 | 1/8" |
| 74005 | 1/2" | 80005 | 5/16" |
| 74007 | 5/8" | — | 7/16" |
| (STD) 74010 | 3/4" | 80010 | 1/2" |
| 74012 | 13/16" | — | 5/8" |
| 74015 | 7/8" | 80015 | 11/16" |
| 74020 | 1-1/8" | 80020 | 7/8" |
| 74025 | 1-5/16" | 80025 | 1" |
| 74030 | 1-1/2" | 80030 | 1-5/16" |
| 74035 | 1-11/16" | — | 1-1/2" |
| 74040 | 1-7/8" | — | 1-11/16" |
| 74045 | 2-1/16" | — | 1-7/8" |
| 74050 | 2-5/16" | — | 2-1/16" |

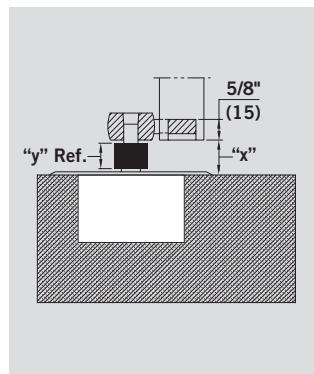
Offset Spindles

Spindles are available with a 3° offset for additional pressure to hold door in the closed position. Normally, this is only necessary for center-pivoted single acting applications. However, they can also be used with other applications to compensate for templating errors. Specify hand of offset spindle when ordering.

Center Hung Applications



Offset Hung Applications



Extended Spindle Insert

NOTE: Closer and arm must be installed per template for door clearances shown to be valid.

Closers with extended spindle inserts are used with thresholds, carpeted floors, or terrazzo pans, or in cases where more clearance between door and floor is required. All spindles are zinc plated.

Cover Plate

Universal cover plate **7410**, suitable for left hand/right hand, 3/4" offset, 1-1/2" offset, and

center pivoted doors. Material is stainless steel or brass depending on the plated finish specified.

Center Pivoted Door

R.H. Offset Pivoted Door

L.H. Offset Pivoted Door

| | G | H | I | J |
|--------------------|-------|---------|--------|------|
| Inches | 4-1/8 | 14-3/32 | 2-9/32 | 3/32 |
| Millimeters | 105 | 358 | 58 | 2 |



www.dorma.com



DORMA USA, Inc.
Dorma Drive, Drawer AC
Reamstown, PA 17567
Tel: 800 523 8483
Fax: 800 274 9724
archdw@dorma-usa.com

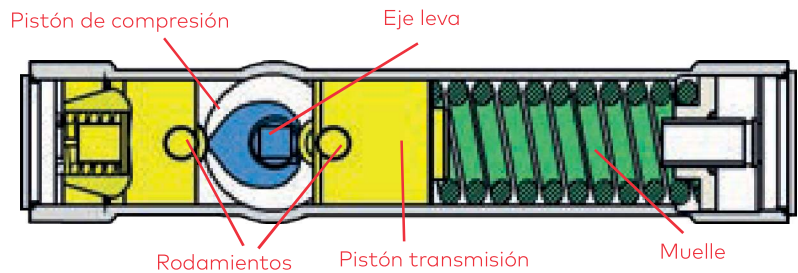
DORMA Canada
1680 Courtney Park Drive, Unit 13
Mississauga, Ontario L5T 1R4
Tel: 800 387 4938
Fax: 905 670 5850
sales@dormacanada.com

DORMA Mexico
Calle Sur 110 no. 63, Col. Tolteca
01150 México, D.F.
Tel: 5255 5272 6937
Fax: 5255 5272 6948
operacion@dorma.com.mx

Cierrapuertas

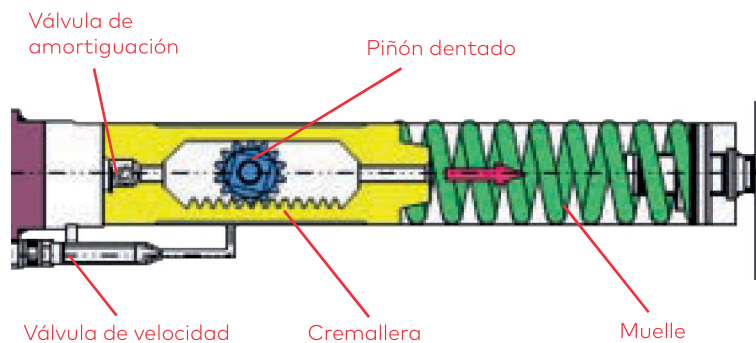
Técnicas de cierrapuertas

Sistemas de leva



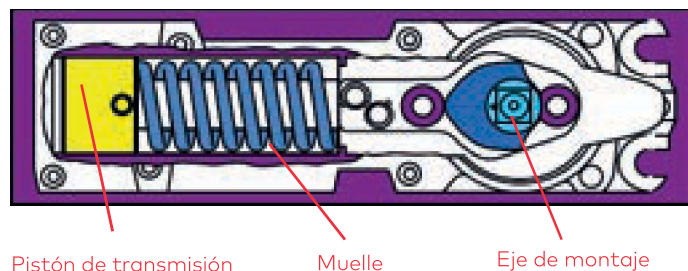
Los cierrapuertas con tecnología EASY OPEN (Cam-action), reducen inmediatamente y de manera notable el par de fuerza de apertura. Niños y personas mayores o discapacitadas podrán abrir la puerta sin necesidad de aplicar mucha fuerza.

Sistemas de piñón cremallera



Los cierrapuertas con piñón cremallera garantizan un control total sobre la puerta. Puertas de gran envergadura o con problemas de aire tienen la solución con este tipo de mecanismos.



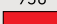
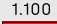



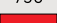
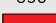
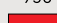
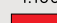



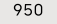
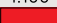

Sistemas de suelo




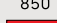

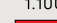
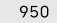
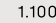

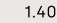





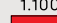
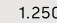
Los cierrapuertas de suelo permiten equipar puertas de todo tipo, incluso puertas de hasta 300 kg. Con el herraje apropiado permiten fabricar puertas de simple o doble acción.

Cierrapuertas

Elección del modelo

| Cierrapuertas ocultos de suelo para vaivén a batiente | | Homologaciones | Fuerza | Tamaño de puertas en mm | Peso máximo |
|--|--|---|--------|---|-------------|
|  | BTS 65 Para puerta vaivén Uso moderado |  | EN 3 | 950  | 100 kg |
| | | | EN 4 | 1.100  | |
|  | BTS 75 V Para vaivén y batiente Uso frecuente |   | EN 1-4 | 750  850  950  1.100  | 120 kg |
|  | BTS 80 Puertas exteriores Para vaivén y batiente Uso intensivo |   | EN 3 | 950  | 300 kg |
| | | | EN 4 | 1.100  | |
| | | | EN 6 | 1.400  | |

| Cierrapuertas ocultos embutidos con guía deslizante | | Homologaciones | Fuerza | Tamaño de puertas en mm | Peso máximo |
|---|---|--|--------|---|-------------|
|  | ITS 96 Uso moderado Grueso mínimo 40 mm Para puertas exteriores Uso intensivo Grueso mínimo 50 mm |   | EN 2-4 | 850  950  1.100  | 130 kg |
| | | | EN 3-6 | 950  1.100  1.250  1.400  | 180 kg |

| Cierrapuertas ocultos embutidos en techo o marco | | Homologaciones | Fuerza | Tamaño de puertas en mm | Peso máximo |
|---|---|---|--------|--|-------------|
|  | RTS 85 Uso intensivo Herraje específico para puerta de vaivén o batiente |  | EN 3 | 950  | 120 kg |
| | | | EN 4 | 1.100  | |
| | | | EN 5 | 1.250  | |

El reglamento (UE) n° 305/2011 entró en vigor el 1 de Julio de 2013, que establece condiciones armonizadas para la comercialización de los productos de construcción y se deroga la Directiva 89/106/CEE.

Esta regulación exige a los fabricantes de productos de la construcción elaborar una declaración de prestaciones cuando un producto de construcción está cubierto por una norma armonizada, o cumple con una evaluación técnica europea emitida para ese producto.

Al hacer una declaración de prestaciones, el fabricante asume la responsabilidad legal de la conformidad del producto con las prestaciones declaradas. Si la declaración de prestaciones no ha sido hecha por el fabricante, el marcado CE no puede ser fijado.


Los cierrapuertas solo pueden tener el marcado CE cuando tienen un uso destinado a las puertas corta-fuego/ corta-humo.

En este caso, debe seguir el sistema 1 de evaluación y verificación de la constancia de prestaciones.

EN-1154 – Dispositivos de cierre controlado de puertas.

EN-1155 – Dispositivos de retención electromagnética para puertas batientes.

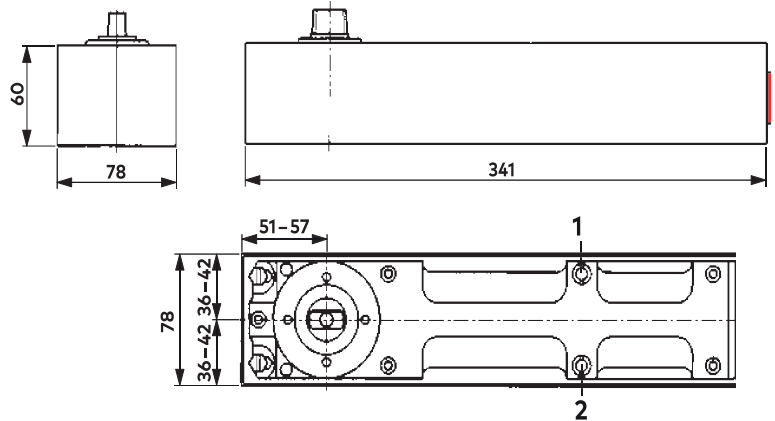
EN-1157 – Dispositivos de coordinación de puertas.

 Producto homologado y probado en puerta cortafuego

 El producto dispone de marcado CE

BTS 80

Soluciones especiales para puertas especiales



Ventajas

- Cierrapuertas de suelo para puertas especiales
- Regulación de velocidad y golpe final independientes
- Fuerza fija
- Retención opcional en cualquier punto
- Es apropiado para puertas a derecha e izquierda
- Con el herraje apropiado, puede instalarse en puertas batientes o de doble acción



Soluciones especiales



Vías de escape



Facilita el uso





Puertas cortafuego



Catálogos
Plantilla de montaje

Certificación

- Conforme EN-1154
- Declaración de prestaciones
- Marcado 
- 
- ISO 9001

Uso intensivo



Características

- Fuerza fija
- Regulación de velocidad independiente
- Regulación golpe final independiente

Versiones

- BTS-80 EN 3
- BTS-80 EN 4
- BTS-80 EN 6

Aplicaciones

- Puertas entre 950 hasta 1.400 mm
- Para puertas a derecha e izquierda
- Apropiado para uso en puertas cortafuego
- Apertura hasta 180°

Opciones

- Placa decorativa: inoxidable y latón
- Ejes alargados entre 5 y 50 mm
- Accesorios específicos para usar en puertas de madera, vidrio o metal