

DC450

Floor spring with Cam-Motion® technology and fixed closing force for very thin slabs



ASSA ABLOY DC450

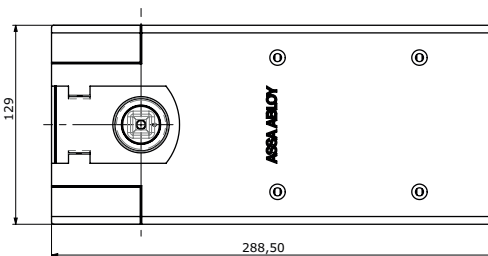
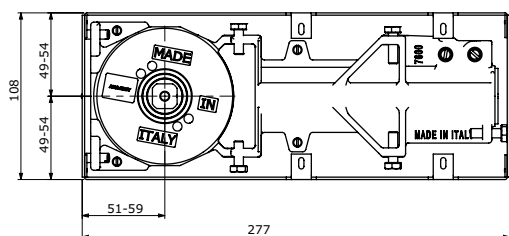
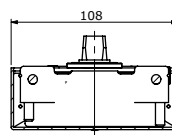
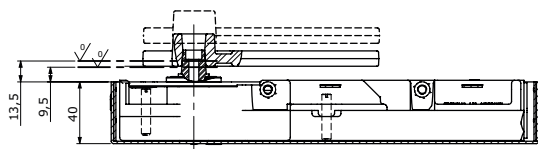
- Floor spring with fixed closing force for very thin slabs
- Certified in compliance with EN 1154, size 3 or 4
- Suitable for fire and smoke protection doors
- For double and single action doors up to 120 kg

Characteristics DC450

- Same dimensions for 2 bodies according to fix size EN3, EN4
- Hydraulic control over 130° in both door swing directions
- Adjustable door speed and latching speed from top regulating valves
- Cast iron body
- Adjustments in all directions within the cement box
- Cement box hot zinc plated and only 40 mm high
- Cover plates and eyelets made in polished or satin stainless steel
- Interchangeable spindle from 0 + 30 mm
- Available with hold-open at 90°, 105° and without hold-open

CE	ASSA ABLOY Italia S.p.A. Via Salvatore Quasimodo, 136 00144 Roma - Italy	15					
	00425-CPR-2866	EN1154:1996+2002+AC2006	3	8	4	1	1

CE	ASSA ABLOY Italia S.p.A. Via Salvatore Quasimodo, 136 00144 Roma - Italy	15					
	00425-CPR-2865	EN1154:1996+2002+AC2006	3	8	3	1	1



DC450

Technical attributes

Technical attributes	
Fix closing force	EN3/EN4
Door width up to	950 mm / 1100 mm
Door weight up to	120 kg
Max. opening angle	130°
Closing speed	Variable between 130° - 15°
Latching speed	Variable between 15° - 0°
Backcheck	No
Weight	3,8 kg
Height	40 mm
Length	277 mm
Width	108 mm
Body adjustment within cement box	vertical 2 mm, side 6 mm; front 7 mm, angular 4°
DIN-direction	Left / Right handed doors or double action
Hold-open mode	90°/105°/Non hold-open
Certified in compliance with	EN 1154
CE marking for building products	Yes
Fire and smoke protection	Yes

The advantages at a glance

Our service for you: here you can see the individual advantages of our door closer models for your respective field of business.

Customer segment	
Project planners	<ul style="list-style-type: none"> - Extensive range of uses: Fire and smoke protection doors as well as standard doors - Particularly suitable in case of double action glass doors - Recommended for thin slabs - Hold-open at 90°, 105° and non hold-open - Variety of available spindles: square Italian, rectangular German - Architectural finishes: Coverplates and eyelets in polished stainless steel, satin stainless steel, polished brass
Builders	<ul style="list-style-type: none"> - Universal for left/right handed and double action doors - Large range of adjustment within cement box to solve possible alignment problems on the site without taking down the door
Trade	<ul style="list-style-type: none"> - Reduced inventory costs due to modular product range - One single product suitable for all fitting applications - Complementary accessories available for the whole product range
User	<ul style="list-style-type: none"> - Easier door opening and improved accessibility due to Cam-Motion® technology

You can find the complete specifications on the Internet at: www.assaabloy.de, under „Service“ in the support section.

Specifications for DC450

ASSA ABLOY floor spring DC450 featuring Cam-Motion® technology in compliance with EN 1154

- Closing power EN sizes 3,4 for doors up to 120 kg and 1100 mm wide
- Closing speed, latch speed adjustable from top regulating valves
- 40 mm high
- Suitable for Left/Right handed and double action doors
- CE approved

Accessories:

- AC115 - Reversible bottom arm Italian spindle
- AC393 - Reversible bottom arm German spindle
- AC8 - Double action top pivot
- AC375 - Double action top pivot
- AC583 - Right and left bottom arm. Socket for Italian square spindle.

- AC392 - Right & left bottom arm. Socket for German rectangular spindle.
- AC384 - Top pivot for left or right doors
- AC612 - Sealing Compound for floor springs
- AC616 - Cover Plate

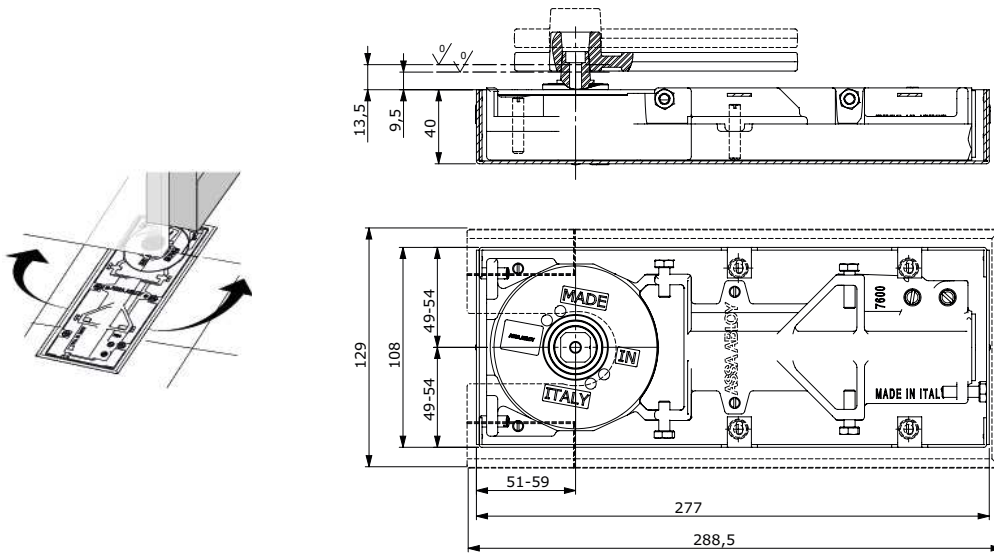
Colour:

- Polished stainless steel
- Satin stainless steel

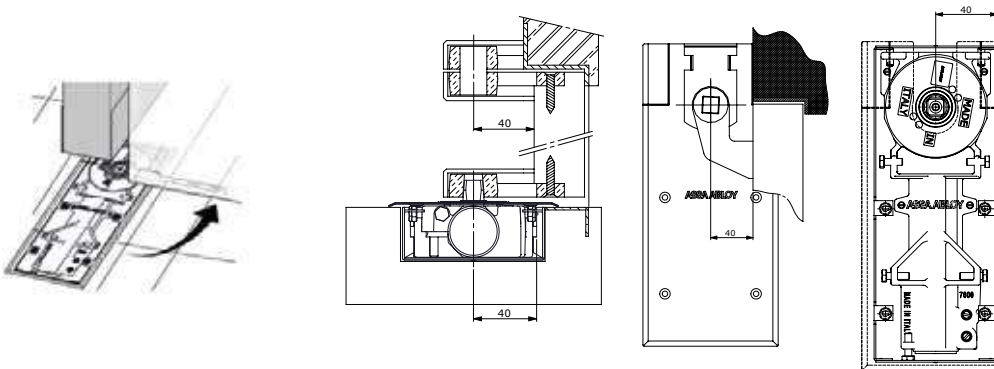
DC450

Dimensional drawings

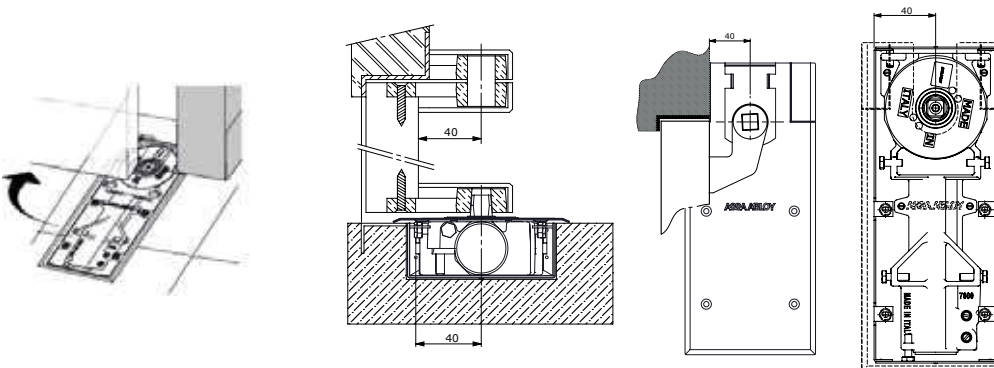
Double action door mounting.



Left-hand door mounting (DIN Right)

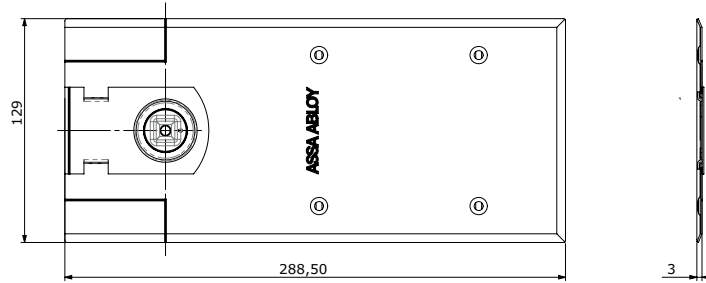


Right-hand door mounting (DIN Left)

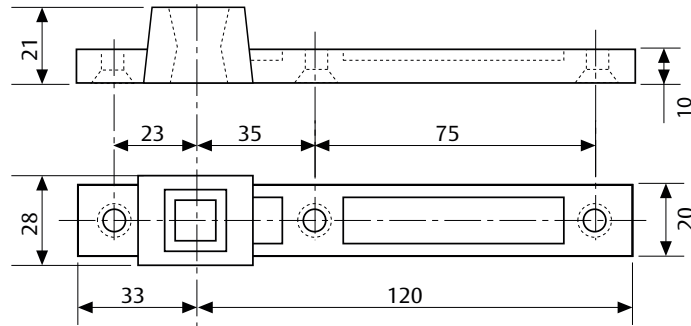


DC450

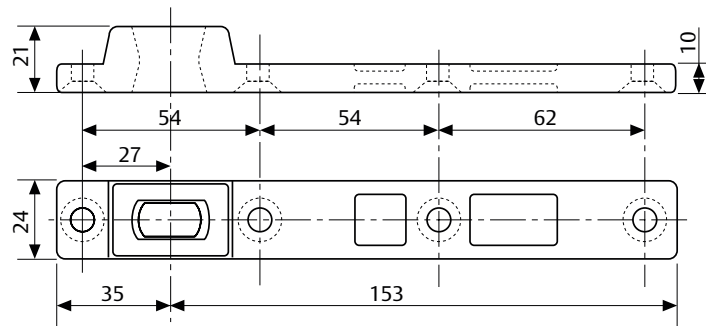
Accessories



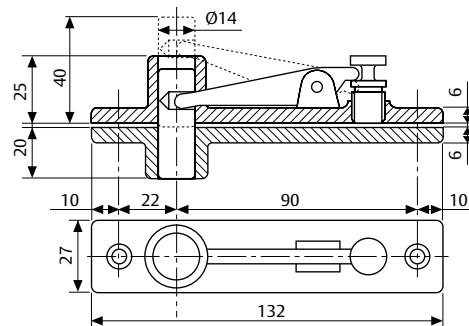
AC619
Available in satin stainless steel, polished stainless steel and polished brass.



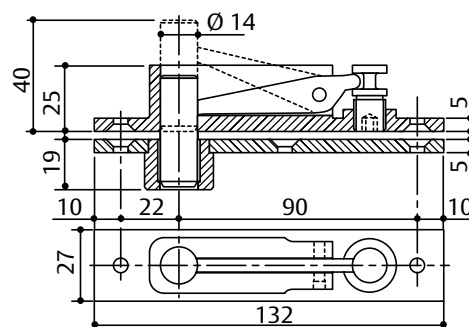
AC115
Reversible bottom arm in steel for double action doors.
Socket for Italian squared spindle.



AC393
Reversible bottom arm in steel for double action doors.
Socket for German rectangular spindle.



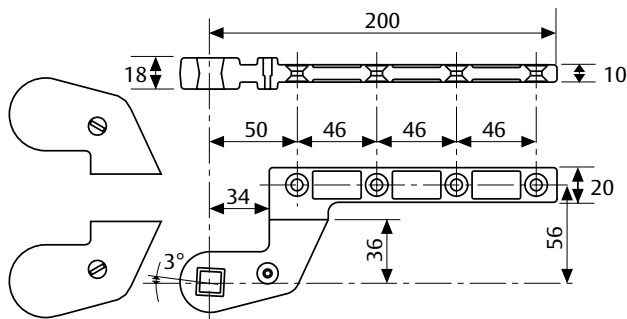
AC8
Double action top pivot.



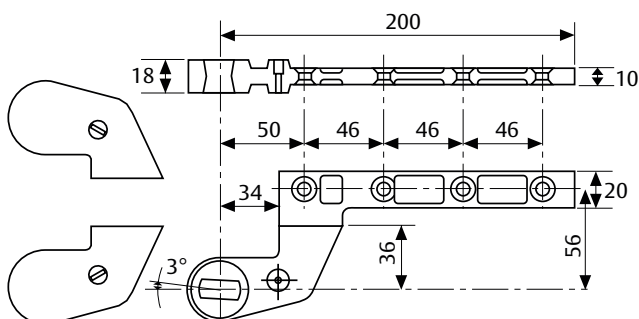
AC375
Double action top pivot in full steel with self lubricating bushing.

DC450

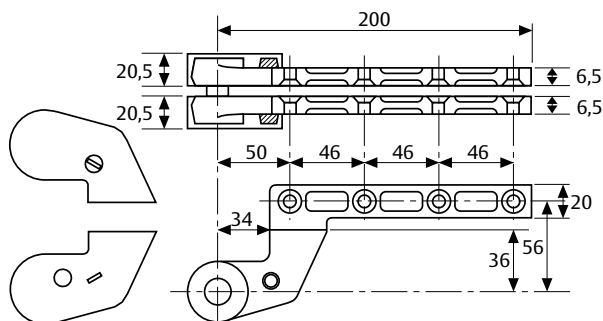
Accessories and order placement information



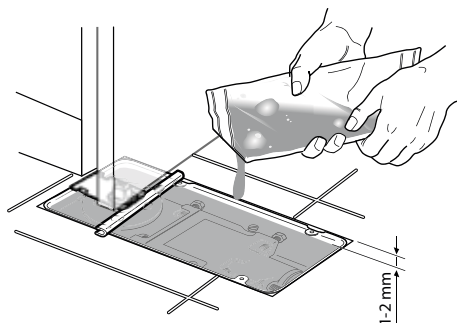
AC583
 Right and left bottom arm in steel for single action doors, 36 mm. offset. Socket for Italian square spindle. Silver or black painted.



AC392
 Right and left bottom arm in steel for single action doors, 36 mm offset. Socket for German rectangular spindle. Silver or black painted ABS covers.



AC384
 Right and Left Top Arm in full steel, 36 mm offset. Silver or black painted ABS cover.

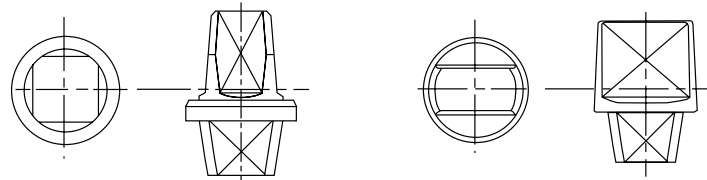
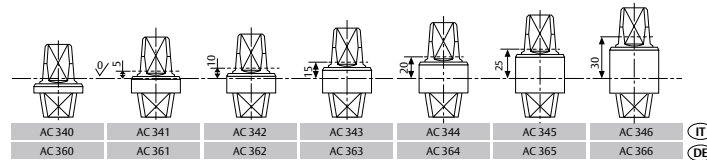


AC612
 Sealing Compound for floor springs.

DC450

Accessories and order placement information

Detachable spindles



Detachable spindles
Italian spindle - square
shape (left image)
German spindle - flat-co-
nical shape (right image)

Description	Order no.	Description	Order no.
DC450 Floorspring size 3 with Hold-Open at 105°	DCE4513TSW	AC364 Detachable Italian Spindle h = 20 mm - zinc plated	MA0364S0
DC450 Floorspring size 3 with Hold-Open at 90°	DCE4563TSW	AC365 Detachable Italian Spindle h = 25 mm - zinc plated	MA0365S0
DC450 Floorspring size 3 without Hold-Open	DCE4593TSW	AC366 Detachable Italian Spindle h = 30 mm - zinc plated	MA0366S0
DC450 Floorspring size 4 with Hold-Open at 105°	DCE4514TSW	AC115 Reversible bottom arm in steel for double action doors. Socket for Italian Spindle	MA0115S0
DC450 Floorspring size 4 with Hold-Open at 90°	DCE4564TSW	AC393 Reversible bottom arm in steel for double action doors. Socket for German Spindle	MA0393S0
DC450 Floorspring size 4 without Hold-Open	DCE4594TSW	AC8 Double action top pivot	MA0008S0
AC619 Cover Plate for DC450 Polished Stainless Steel	DCA0619IW	AC375 Double action top pivot in full steel with self-lubricating bushing	MA0375S0
AC619 Cover Plate for DC450 Satin Stainless Steel	DCA0619QW	AC583 Right and left bottom arm in steel for single action doors, 36 mm offset. Socket for Italian spindle. ABS cover in silver	MA058300
AC340 Detachable Italian Spindle h = 0 mm - zinc plated	MA0340S0	AC583 Right and left bottom arm in steel for single action doors, 36 mm offset. Socket for Italian spindle. ABS cover in black	MA058330
AC341 Detachable Italian Spindle h = 5 mm - zinc plated	MA0341S0	AC392 Right and left bottom arm in steel for single action doors, 36 mm offset. Socket for Italian spindle. ABS cover in silver	MA039200
AC342 Detachable Italian Spindle h = 10 mm - zinc plated	MA0342S0	AC392 Right and left bottom arm in steel for single action doors, 36 mm offset. Socket for Italian spindle. ABS cover in black	MA039230
AC343 Detachable Italian Spindle h = 15 mm - zinc plated	MA0343S0	AC384 Right and left top arm in full steel, 36 mm offset. ABS cover in silver	MA038400
AC344 Detachable Italian Spindle h = 20 mm - zinc plated	MA0344S0	AC384 Right and left top arm in full steel, 36 mm offset. ABS cover in black	MA038430
AC345 Detachable Italian Spindle h = 25 mm - zinc plated	MA0345S0	AC612 Sealing compound for floorsprings	MA0612S0
AC346 Detachable Italian Spindle h = 30 mm - zinc plated	MA0346S0		
AC360 Detachable Italian Spindle h = 0 mm - zinc plated	MA0360S0		
AC361 Detachable Italian Spindle h = 5 mm - zinc plated	MA0361S0		
AC362 Detachable Italian Spindle h = 10 mm - zinc plated	MA0362S0		
AC363 Detachable Italian Spindle h = 15 mm - zinc plated	MA0363S0		